



ENTHALPY CONTROLLER

## FEATURES

- Microprocessor based with or without display
- Used in conjunction with 2 sets of temperature and RH sensors
- Calculates return/ambient air enthalpy, wet-bulb temperature calculation optional
- 2 position (ON/OFF) and modulating outputs
- Controls
  - Fresh/Return/Exhaust air dampers
  - Cooling/Heating plant
  - Humidifier/dehumidifier
  - Heater banks



TEMPERATURE AND RH SENSORS

## BENEFITS

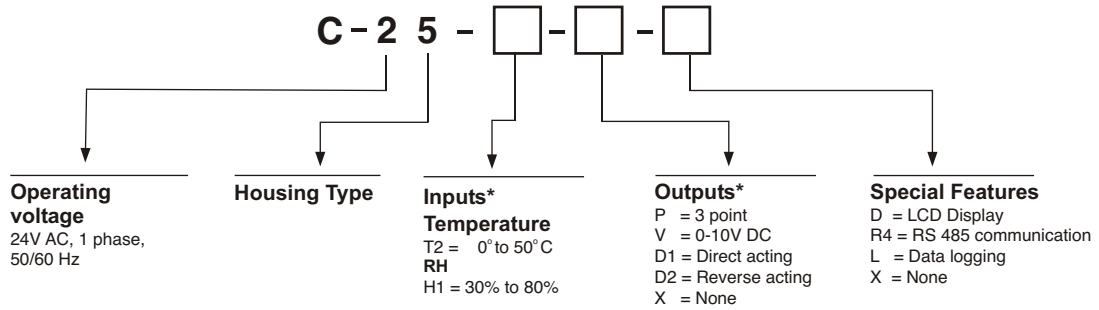
- Calculates and compares return/ambient air enthalpies
- Operates the damper to minimize energy usage for free cooling
- Can be used with energy recovery system

## TECHNICAL DATA

Sensing element	Temp.	: NTC Thermistor
	RH	: High polymer type
Sensing accuracy	Temp.	: $\pm 1^{\circ}\text{C}$
	RH	: $\pm 5\%$ rh
Display type*		: 8 character x 2 line, alphanumeric, dot matrix, STN LCD with back light
Display resolution		: 0.1% of the maximum value
Operating voltage		: 24V AC
Digital output rating		: 3A, 230V AC
Terminals		: Accept max. 2.5 sq. mm cable
Permissible ambient temp.		: $-20^{\circ}\text{C}$ to $40^{\circ}\text{C}$
Protection		: IP 30

\* wherever applicable

## MODEL DESIGNATION



\* In case of more than one input/output, the multiple input/outputs shall be specified in the same block, i.e., T2.H1.

\* In case of input from external sensor add E to that input, i.e., EF1.ET2.