



HR-1310

FEATURES

- Electronic, Microprocessor based
- High polymer resistive sensor
- Selectable humidification / dehumidification output

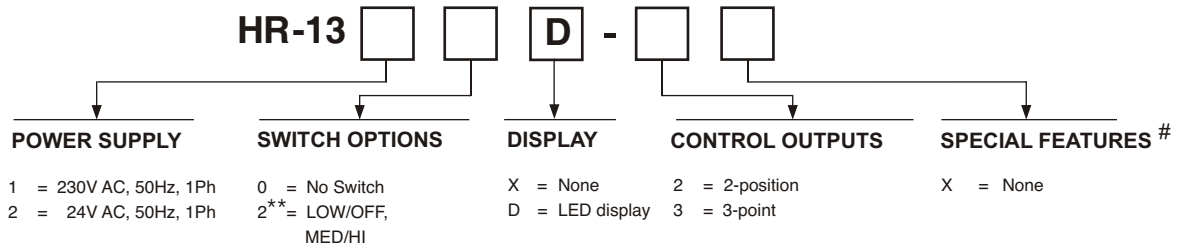
BENEFITS

- High accuracy
- Fast response
- Long life

TECHNICAL DATA

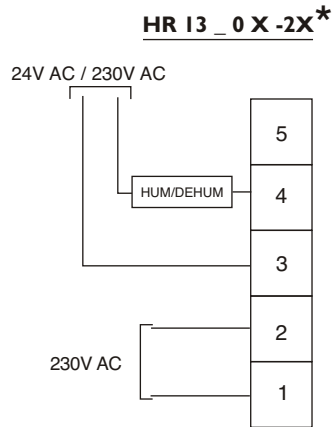
Setting Range	: 30 to 80% rh adjustable
Switching Differential	: 5% rh
Sensing Element	: High polymer resistive
Accuracy	: $\pm 5\%$ rh
Operating Voltage	: 230V AC $\pm 10\%$, 50/60 Hz
Output rating at 24/240V AC	: 3 Amps
Terminals	: Accept Max. 2.5sq. mm cable
Permissible ambient Temp.	: -20 to +40° C
Protection	: IP 30

MODEL DESIGNATION



- * * With internal Heat/Cool changeover switch
- # In case of more than one special feature the multiple features shall be specified in the same block i.e. E1.B

WIRING DIAGRAMS



NOTES : * applicable to models (E) with external sensor