



WALL MOUNTING



IMMERSION TYPE



DUCT MOUNTING



BULB TYPE

FEATURES

- Used for measuring temperature and/or relative humidity in remote or difficult to access locations
- Sensors give suitably amplified signals for transmission over short distances
- Mounting options
 - Wall mounting
 - Duct mounting
 - Immersion (for temp only)
 - Bulb type
- Wide range of measurements
- High accuracy

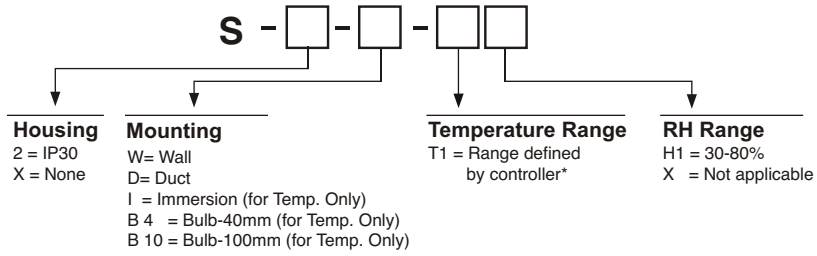
BENEFITS

- Long life solid state sensing
- High reliability
- Fast response
- Low hysteresis
- Low offset and drift
- Good reproducibility

TECHNICAL DATA

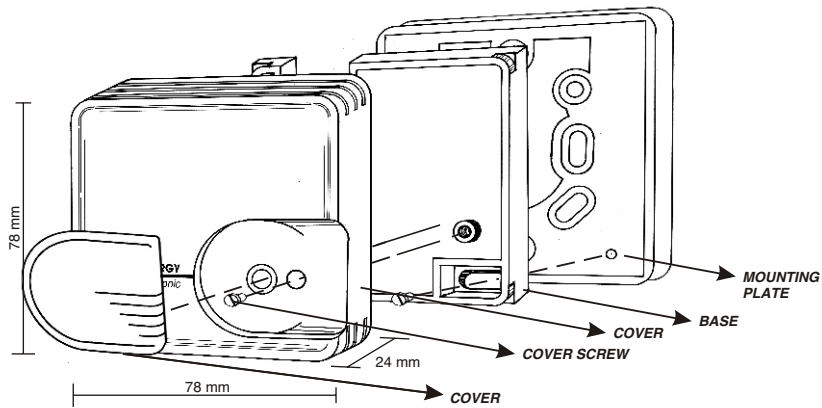
Sensing element	Temp	: NTC Thermistor
	RH	: High Polymer Type
Measuring range	Temp	: Working range defined by controller
	RH	: 30% to 80%rh
Accuracy	Temp	: ±1°C
	RH	: ±5%rh
Operating voltage		: 12 V DC
Terminals		: Max. 2.5 sq. mm cable
Permissible ambient temp.		: -20 to + 40°C
Protection		: IP 30

MODEL DESIGNATIONS



* Possible ranges -30° to 70° C, 0° to 50° C, 15° to 35° C.

CONSTRUCTION



WIRING DIAGRAMS

